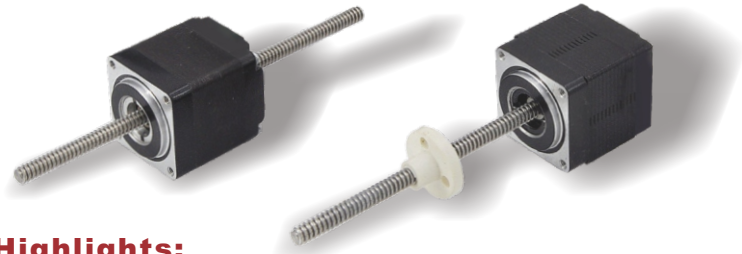


28LHS/1004/0424/0184/0426/0186 Series Hybrid Linear Stepper Motors

2Phase Nema 11, No-captive, External Nut and Rich Leadscrews



Technical Specifications

Step Angle	1.8° (2 Phase)
Step Angle Accuracy	±0.09°
Size	Nema 11
Insulation Grade	500VDC, 100 MΩ Min. , Class B
Dielectric Strength	500 VAC for 1 Minute
Temperature Rise	Less than 80°C (Rated Current)
Surface Temperature	Max. Allowed 100°C
Humidity Range	20% to 90% RH
IP Grade	IP40
Certificates	Rohs, CE, CCC

Highlights:

- Low Noise, Low Vibration, Low Heating;
- High Smoothness;
- High Efficiency, Long lifetime ;
- Flexible in Customization:
Screw Diameter, Screw Lead, Screw Length, Motor Length, Electric Parameters, Motor Surface Processing etc.

Model Name	Wiring	Rated voltage	Rated current	Resistance /phase	Inductance /phase	Power consumption	Temperature rise	Weight	Insulation resistance
28LHS1004N/E-C-L	Bipolar	2.1V	1A	2.1Ω	1.5mH	4.2W	75°C	119g	20MΩ
28LHS0424N/E-C-L		5V	0.42A	11.9Ω	6.7mH				
28LHS0184N/E-C-L		12V	0.18A	68.6Ω	39mH				
28LHS0426N/E-C-L	Unipolar	5V	0.42A	11.9Ω	3.3mH	4.2W	75°C	119g	20MΩ
28LHS0186N/E-C-L		12V	0.18A	68.6Ω	19.5mH				

Note: Customization of motor specifications available.

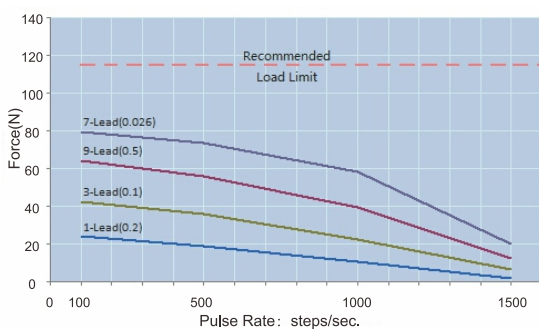
Code	Leadscrew Thread Dimensions in mm		
	Diameter	Step	Lead
7	φ4.76	0.003175	0.635
9	φ4.76	0.00635	1.27

Note: Customization of step and lead specification available.

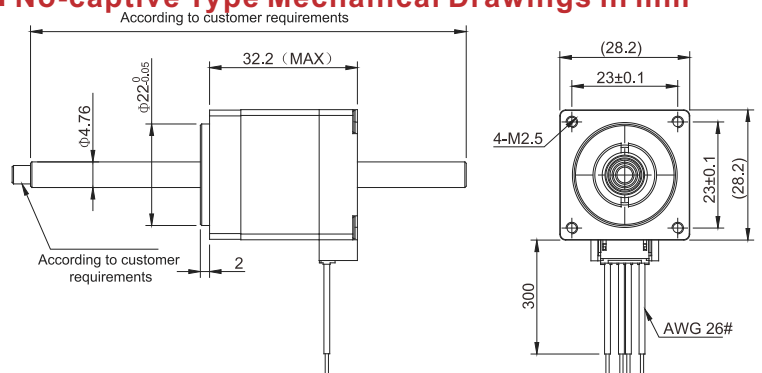
Code	Leadscrew Thread Dimensions in mm		
	Diameter	Step	Lead
3	φ4.76	0.0127	2.54
1	φ4.76	0.0254	5.08

Load Force and Pulse Rate Curves

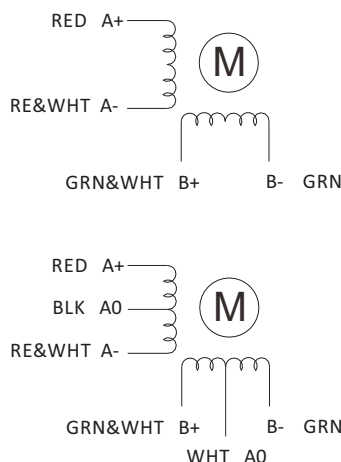
Chopper drive : motor 5V and power supply 24V



No-captive Type Mechanical Drawings in mm



Wiring Diagram



External Nut Type Mechanical Drawings in mm

