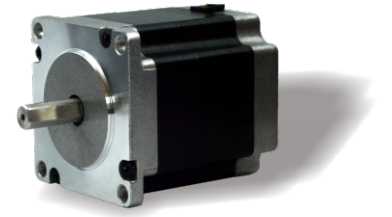


Specifications

Step Angle	1.2° (3 Phase)
Shaft	Single (Dimension Customizable)
Resistance Accuracy	±10% (20°C Typ.)
Inductance Accuracy	±20% (20°C Typ.)
Temperature Rise	80 °C Max.(rated current)
Ambient Temperature	-20 °C ~ +50 °C
Insulation Grade	100 MΩ Min. , Class B
Dielectric Strength	500 VAC for 1 Minute
Power Cable Connect	Lead
IP Grade	IP40
Certificates	Rohs, CE, CCC

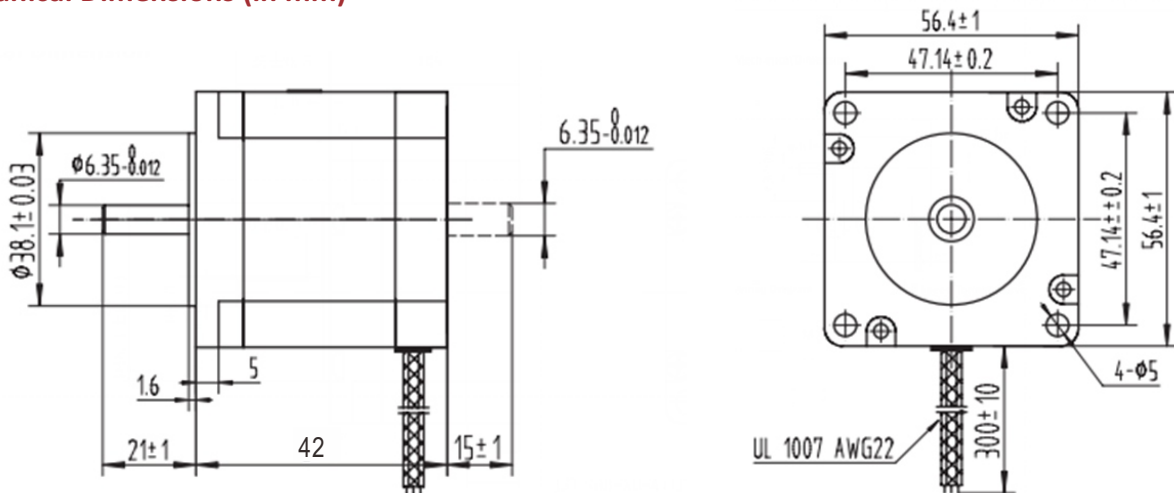


Highlights:

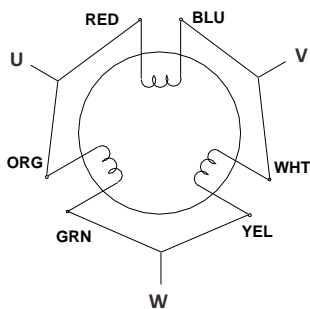
- Low Noise, Low Vibration;
- High Speed, High Smoothness;
- High Efficiency, Long lifetime ;
- Flexible in **Customization**:
Shaft Type(diameters, dual shaft, hollow shaft, flat, key),
Torque Values, Lead Type etc.

Model	Current	Resistance	Inductance	Holding Torque	Detent Torque	Rotor Inertia	Bi/Unipolar	Weight	Length
	A/∅	Ω/∅	mH/∅	N.m	N.cm	g.cm ²	# of Leads	kg	mm
357HS045-5206S-42	5.2	1.3	1.1	0.45	0.21	100	Bi (6)	0.48	42

Mechanical Dimensions (in mm)



Wiring Diagram



Torque Speed Curve

